

The Power Base™ Adaptor converts any Leviton low voltage ceiling occupancy sensor to a self-contained, line voltage unit, with 15Amp, 120/277V load capacity.

OPB15 FEATURES

- Converts any Leviton low-voltage ceiling sensor to line-voltage (Patent-Pending)
- Mounts to standard 2.125" deep x 4" octagon or 2.125" deep x 4" foursquare electrical boxes (foursquare box requires a two-gang mud ring)
- Simple installation
- Ideal for retrofit or new construction applications
- Self-contained transformer and relay
- Zero crossing circuitry provides increased durability

DESCRIPTION

The OPB15 Power Base is a unique, patent-pending, 15 Amp power pack for low-voltage occupancy sensors packaged in a housing that forms the mounting base of these products. This allows for installations where only line-voltage circuitry is available while providing the full-line of Leviton low-voltage ceiling sensors to meet every application. The OPB15 Power Base provides all of the same features as the standard OSP Power Pack Series with a full rated 15 amp, zero cross relay with 24 VDC supply.

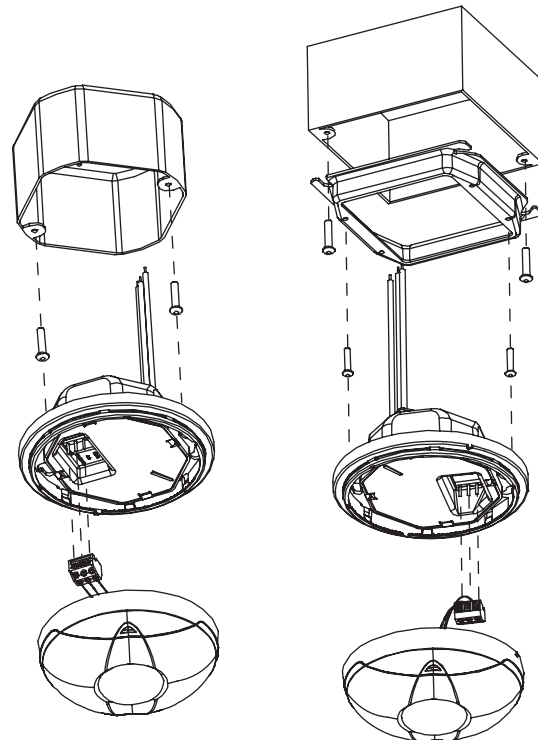
APPLICATIONS

- Lavatories
- Remodels in Hard Ceiling Spaces
- Energy Conservation Retrofits
- Any installation with limited access for low-voltage wiring installation.



OBP15-ODW

SENSOR WIRING



OPB15 Power Base

LEVITON SPECIFICATION SUBMITTAL

JOB NAME:	CATALOG NUMBERS:	
<input type="text"/>	<input type="text"/>	<input type="text"/>
JOB NUMBER:	<input type="text"/>	<input type="text"/>

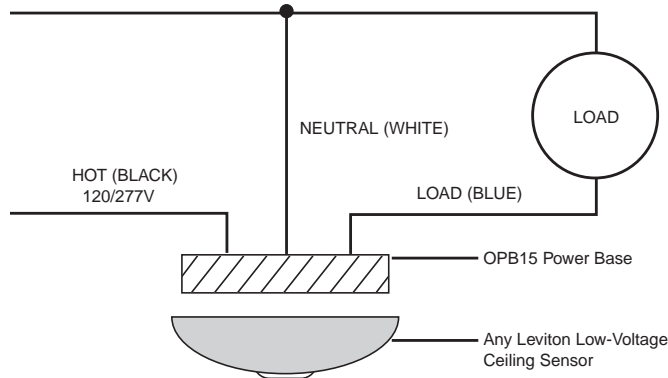
Power Base Series

OPB15 Power Base

PRODUCT SPECIFICATIONS

Models				
Part Number	Power Input	Rating	Control Input	Power Output
OPB15	120/277VAC, 60HZ	15A	24VDC, 5mA	24VDC, 40mA

WIRING



INSTALLATION

The OPB15 Power Base mounts in a standard 2.125" deep x 4" octagon ceiling box or a standard 2.125" deep x 4" square electrical box with a 2-gang mud ring. The flying leads permit quick electrical connection to the line-voltage circuit. A two-part terminal block is provided for easy low-voltage connections to the sensor. The OSC families of low-voltage sensors mount easily to the OPB15 Power Base to complete the installation.

PHYSICAL SPECIFICATIONS

Case	High impact plastic
Relay	Class B (130°C) insulating material. Silver alloy contacts switching power supply – 120/230/277 VAC
Wire	6" leads 14 AWG input, two-part terminal block output
Size	4.5" dia. x 1.75" deep
Color	White
Listings	UL, cUL, NOM, CEC Title 24 Listed

ELECTRICAL SPECIFICATIONS

Input Voltage	120/277 VAC @ 60Hz
Output Voltage	24 VDC, 40 mA nominal, full-wave rectified and filtered, unregulated. (Each Leviton sensor contains an internal voltage regulator)
Load Rating	15 A, 3/4 HP at 120, 15A, 2HP at 277V Electronic or Magnetic Fluorescent Ballast, Incandescent
Wire Designation	Line – Black Load – Blue White - Neutral

ORDERING INFORMATION

DESCRIPTION	CAT. NO.	COLOR
Occupancy Sensor Power Base	OPB15-ODW	White

WARRANTY

Limited 5-year Warranty

ENVIRONMENTAL SPECIFICATIONS

Operating Temperature Range	0°C to 40°C
Storage Temperature Range	-10°C to 85°C
Relative Humidity	0% to 90% non-condensing

LEVITON SPECIFICATION SUBMITTAL

JOB NAME:	CATALOG NUMBERS:	
<input type="text"/>	<input type="text"/>	<input type="text"/>
JOB NUMBER:	<input type="text"/>	<input type="text"/>