

LPACK[®]
LED WALLPACK

**Say Goodbye
To 250W
Wallpacks.**

**The New
LPACK52
Is Here!**



RAB[®]
LIGHTING
www.rabweb.com • 888-722-1000

The New LPACK52

- 52 Watt High-Performance LED
- Traditional Wallpack Look From the Front
- Cutting-Edge, Heat-Dissipating Design
- Replaces 250W Metal Halide
- 3 Cutoff Options
- Die-Cast Aluminum Housing
- 5-Year Warranty

Vertical Fins for Maximum Heat Dissipation



No Visible Gaskets or Hardware

Side Access Panel for Wiring and Inspection



Wallpack has Mounting Bracket with Tether for Hands-Free Wiring

Specifications

UL Listing

Suitable for wet locations.



LEDs Four (4) multi-chip, 13W high-output, long-life LEDs

Drivers Two drivers, constant current, 720mA, Class 2, 100 - 277V, 50 - 60 Hz, 100 - 277VAC: .8 Amps

Input Watts 60

Output Lumens* 3429

Lumens Per Watt* 57

Surge Protection 6 KV

Ambient Temperature Suitable for use in 40°C ambient temperatures.

Cold Weather Starting The minimum starting temperature is -40°C.

Heatsink Superior heat sinking with external Air-Flow fins

Housing Die-cast aluminum housing, door frame, arm and wall bracket

Mounting Die-cast aluminum wall bracket with (5) 1/2" conduit openings with plugs. Two-piece bracket with tether for ease of installation and wiring.

Arm Die-cast aluminum with wiring access plate

Color Stability RAB LED products significantly exceed Energy Star Requirements for Chromatic Stability during LM-80 Testing.

** Values shown for cool temperature. Visit www.rabweb.com for neutral-temperature performance.*

Color Accuracy 67 CRI

Color Temperature (Nominal CCT) 5000K

Color Uniformity RAB's range of CCT (Correlated Color Temperature) follows the guidelines of the American National Standard for Specifications for the Chromaticity of Solid State Lighting (SSL) Products, ANSI C78.377-2008.

Cutoff Options

Full Cutoff (0°)

Cutoff (7.5°)

Standard (15°)

Reflector Hydroformed aluminum designed for maximum efficiency

Gaskets High-temperature silicone gaskets seal out moisture

Finish Chip and fade resistant polyester powder coat finish in bronze or white

Green Technology Mercury and UV free

IESNA LM-79 & LM-80 Testing

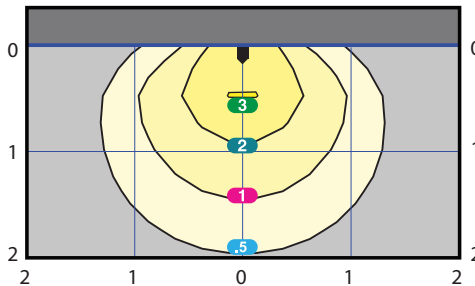
RAB LED luminaires have been tested by an independent laboratory in accordance with IESNA LM-79 and LM-80, and have received the Department of Energy "Lighting Facts" label.

California Title 24

WPLED complies with California Title 24 building and electrical codes.

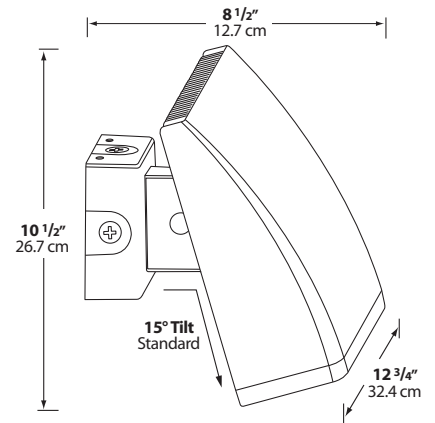
Photometrics

WPLED52
20' Mounting Height, 15° Tilt



Multiples of Mounting Height • Values shown in Footcandles

Dimensions



Cutoff Options

