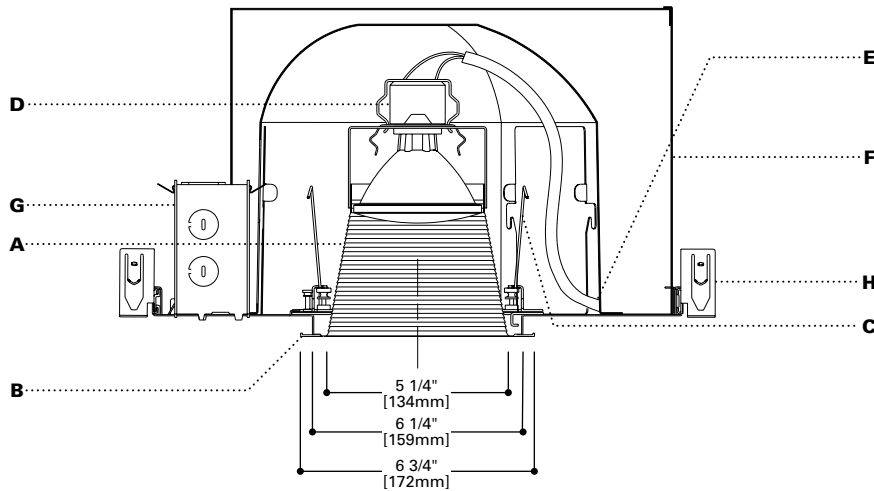


**DESCRIPTION**

Specification grade PAR30 fixture rated for direct contact with insulation. The 50° cutoff to lamp and lamp provides a glare free, smooth distribution of light. Accommodates both PAR short neck and PAR long neck lamps. Halogen

lamps provide excellent color and long life. **Lamp module and optical element can be changed after installation to provide a variety of lamp sources and distributions. e.g. into a PAR36 Adjustable.**



**SPECIFICATION FEATURES**

**A...Baffle**

.040 thick aluminum spun sawtooth baffle in matte black or white powdercoat finish. Baffle extends up beyond lamp for clean appearance.

**B...Flange**

Die-cast flange with either matte white or clear coat finish. Die-cast flanges are easily removed for field painting. Elements are keyed for proper insertion.

**C...Attachment**

Positive torsion springs pull flange tight to ceiling. Mechanical light trap eliminates spill light at edge of flange or baffle.

**D...Socket**

Nickel plated porcelain socket. Two position socket ensures consistent lamp position.

**E...Electrical**

Keyed quick connect provides easy lamp module installation.

**F...Frame/Housing**

Hot dipped galvanized 20 gauge steel frame with built in 1/2 inch plaster lip. Gunsights allow for consistent alignment. Aluminum .032 thick housing allows for heat dissipation and reduces weight. Matte black housing interior.

**G...Junction Box**

18 cubic inches, listed for 4#12 AWG or 6#14 AWG 90° C additional feed through conductors, has six 1/2 inch pryouts.

**H...Bar Hangers**

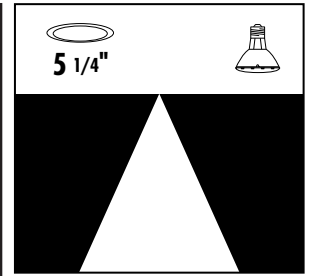
No Flex® bar hangers with positive locking, for use with wood, engineered wood and steel frame joists spaced up to 24" O.C. ship with platform. For use in T-bar ceilings order accessory MBCLP clips. Nailless barb and locator lip provide consistent installation height.

**Codes**

Thermally protected, IP labeled, for use in direct contact with insulation. Meets Washington State Air tight requirements, 1995 CABO Model Energy Code.

**Labels**

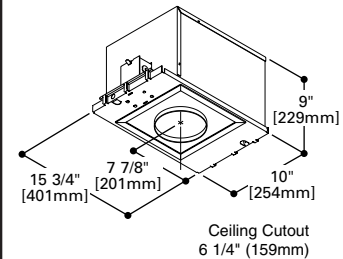
UL and cUL listed, standard damp label, IBEW union made.



**P5  
M120  
E5P30BB**

**75W PAR30L  
75W PAR30**

**5" DOWNLIGHT  
BAFFLE**



**ORDERING INFORMATION**

Complete unit consists of a platform, module and element

Platform	Lamp Module	Optical Element	Finish	Flange	Accessories
<b>P5</b>	<b>M120</b>				
P5=5" Airtight IC Rated Housing	M120= Medium Base Incandescent Socket	E5P30=5" PAR 30 Downlight Baffle	BB=Black Baffle WB=White Baffle	Blank=White die-cast RAW=Natural Die-cast	MBCLP=40 Push On T Bar Clips (for 10 Units) PLE5=Plaster Lip Extension for Max 2" Thick Ceiling FMC5=Flush Mount Collar

For additional options please consult factory.

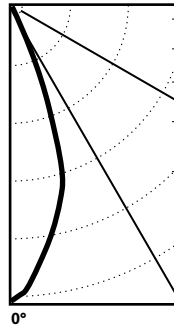
**PHOTOMETRICS**

**P5-M120-E5P30BB**

Test No. H36110  
 Lamp: 75PAR30FL/H  
 Lumens: 1100  
 Cutoff: 50°  
 Spacing: 0.5  
 Efficiency: 69.0%  
 Unit LPW: 10.1

Candelas	
Vertical Angle	CD
90	0
85	0
75	0
65	1
55	2
45	4
35	27
25	269
15	1502
5	2096
0	2303

**Distribution**



**Luminance**

Degree	cd/m <sup>2</sup>
85°	0
75°	0
65°	169
55°	250
45°	405

**Cone of Light**

Distance to Illuminated Plane	Initial Nadir Footcandles	Beam Diameter
4'6"	113	2'6"
5'6"	76	3'0"
6'6"	54	4'0"
8'0"	36	4'6"
10'0"	23	6'0"
12'0"	16	7'0"

**Zonal Lumen Summary**

Zone	Lumens	%Lamp	%Luminaire
0-30	735	66.8	96.8
0-40	754	68.6	99.3
0-60	759	69.0	99.9
0-90	760	69.0	100.0
90-180	0	0.0	0.0
0-180	760	69.0	100.0

**Coefficient of Utilization**

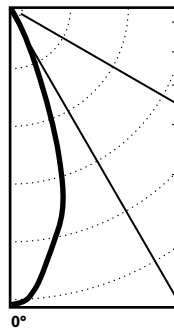
Ceiling Reflectance	80%		70%		50%		30%		0%		
	70	50	30	10	50	10	50	10	50	10	
Room Cavity Ratio	70	50	30	10	50	10	50	10	50	10	
0	82	82	82	82	80	80	77	77	73	73	69
1	80	79	77	76	77	75	74	73	72	71	68
2	78	76	74	72	74	72	72	70	70	69	66
3	76	763	71	70	72	69	71	68	69	67	65
4	74	71	69	67	70	67	69	66	68	65	64
5	72	69	67	65	68	65	67	64	66	64	62
6	71	67	65	63	67	63	66	63	65	62	61
7	69	66	63	62	65	62	65	61	64	61	60
8	68	64	62	60	64	60	63	60	63	60	59
9	66	63	60	59	62	59	62	58	61	58	58
10	65	61	59	57	61	57	61	57	60	57	56

**P5-M120-E5P30WB**

Test No. H36111  
 Lamp: 75PAR30FL/H  
 Lumens: 1100  
 Cutoff: 50°  
 Spacing: 0.6  
 Efficiency: 79.5%  
 Unit LPW: 11.6

Candelas	
Vertical Angle	CD
90	0
85	2
75	8
65	15
55	23
45	33
35	60
25	321
15	1522
5	2139
0	2268

**Distribution**



**Luminance**

Degree	cd/m <sup>2</sup>
85°	1642
75°	2212
65°	2540
55°	2870
45°	3340

**Cone of Light**

Distance to Illuminated Plane	Initial Nadir Footcandles	Beam Diameter
4'6"	112	2'6"
5'6"	75	3'6"
6'6"	54	4'0"
8'0"	35	5'0"
10'0"	23	6'0"
12'0"	16	7'6"

**Zonal Lumen Summary**

Zone	Lumens	%Lamp	%Luminaire
0-30	763	69.3	87.2
0-40	802	72.9	91.7
0-60	848	77.1	97.0
0-90	875	79.5	100.0
90-180	0	0.0	0.0
0-180	875	79.5	100.0

**Coefficient of Utilization**

Ceiling Reflectance	80%		70%		50%		30%		0%		
	70	50	30	10	50	10	50	10	50	10	
Room Cavity Ratio	70	50	30	10	50	10	50	10	50	10	
0	95	95	95	95	93	93	88	88	85	85	80
1	91	90	88	87	88	85	85	83	82	80	76
2	88	85	83	81	84	80	81	78	79	76	74
3	86	82	79	77	81	76	79	75	77	74	72
4	83	79	76	73	78	73	76	72	75	71	69
5	80	76	72	70	75	70	74	69	73	69	67
6	78	73	70	68	73	68	72	67	71	67	65
7	76	71	68	65	71	65	70	65	69	65	63
8	74	69	66	63	68	63	68	63	67	63	62
9	72	67	64	61	67	61	66	61	65	61	60
10	70	65	62	60	65	60	64	60	64	59	59

**Notes and Formulas:**

**Luminance:** To convert cd/m<sup>2</sup> to footlamberts, multiply by 0.2919

**Cone of Light:**

- Beam diameter is to 50% of maximum footcandles, rounded to the nearest half-foot.
- Footcandle values are initial. Apply appropriate light loss factors where necessary. See page 64-65 of catalog.

**CU Notes/Formulas:**

- maintained illuminance = lamp lumens x CU x light loss factors / room area
- total number of luminaires = total room area x maintained illuminance / lamp lumens x CU x light loss factors
- CU data based on 20% effective floor cavity reflectance.

Note: Specifications and Dimensions subject to change without notice.

Visit our web site at [www.cooperlighting.com](http://www.cooperlighting.com)

